



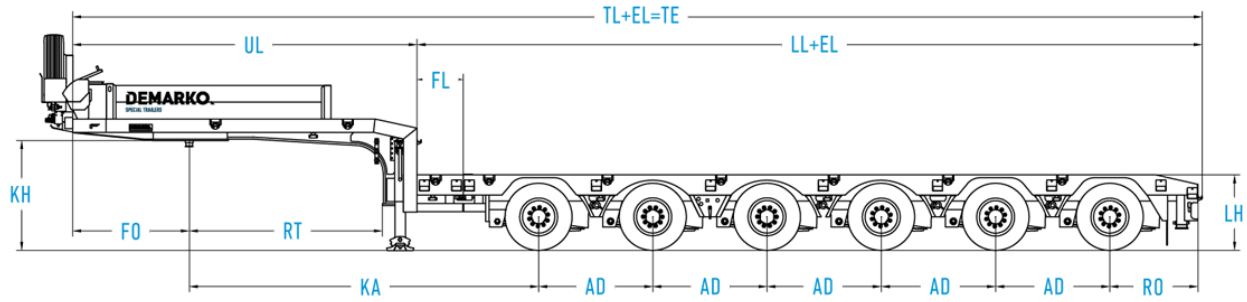
LOW LOADING – ST SERIES

The ST-series is the most popular series of DEMARKO semi-trailers with the most versatile profile. The multitude of modifications and accessories offered by ST-series semi-trailers ensure their multi-functionality and efficiency in oversize transport. The modular design enables multiple length and width extensions. When the semi-trailer is extended, its functionality is ensured by for example an intermediate table that, depending on the dimensions, may be equipped with stanchion sockets, telescopic width extensions and even cavities for the wheels of construction machines. Various variants of axle assembly support a series of configurations, enabling even hydraulic-assisted turns controlled by a wireless remote.

The functionality of DEMARKO low-loading semi-trailers is ensured by for example:

- an intermediate table that, depending on the dimensions, may be equipped with stanchion sockets, telescopic width extensions and even cavities for the wheels,
- wheels of the construction machines (which may be filled when transporting other loads),
- a load trestle that aligns the level of the lower load deck with the balcony when transporting long loads,
- aluminium ramps, which may be installed in the rear of the semi-trailer or at the swan neck,
- load security features in the form of aluminium sides on the neck, steel stanchions inserted into sockets on the deck and the semi-trailer profile, as well as belts with tensioners, using a series of fixtures to secure the load,
- tool cases installed on the front wall and under the semi-trailer,
- compartments for stanchions and aluminium ramps.

ST Series offers the most choice of options and modifications, which is reflected also by the multitude of selections with regard to the number of axles. In total, we manufacture as many as 10 variants, 2 to 10 axles, including the 3-axle light version and two 8-axle variants.



ST – 6-AXLE

MAIN DIMENSIONS

TL	Total length	13.450 mm
EL	Extension length	1 x 6.300 mm
TE	Total length extended	19.750 mm
W	Width	2.550 mm
KH	Kingpin height	1.240 mm
LH	Loading area height	900 mm
FL	Fixed part behind goose neck	550 mm
LL	Lower loading area length	9.350 mm
UL	Upper loading area length	4.100 mm
FO	Front overhang	1.400 mm
RO	Rear overhang	1.050 mm
RT	Swing clearance radius for truck	2.300 mm
RA	Clearance radius for trailer	1.651 mm
AD	Axle distance	1.360 mm
KA	Distance from kingpin to the 1st axle	4.160 mm

WEIGHT

Max. fifth wheel load	25.000 kg
Axle load capacity	60.000 kg
Gross vehicle weight	85.000 kg
Dead weight	13.800 kg
Payload	71.200 kg

All dimensions and weights are approximate and may vary depending on configuration and choice of accessories. Changes in construction and equipment are reserved. There may be some differences between the versions placed on the market in different countries.